



Marine



Floodlights

Cruise ships

Military vessels

Ferries

Cargo ships

Offshore platforms

Submarines



YUMA-NAVE

3200 lm to 12250 lm

Page 16

YUMA-NAVE floodlight



Body material	AISI 316L stainless steel
Surface treatment	Non-toxic polyester, anti UV, kiln-polymerised coating
Color	White RAL 9016
Diffuser material	Extra clear tempered glass
Protection rating	IP66 as per IEC 60598-1
Impact resistance	IK08 according to IEC/EN 62262
Corrosion class	C5-H (ISO 9223)
Mounting system	U bracket with adjustmen
Ambient operating temperature	-30 °C - +50 °C
Ambient storage temperature	-40 °C - +70 °C
Actual efficacy of the device	Up to 128 lm/W
Colour temperature	4000 K
Optics features	Non-ageing, UV-resistant PMMA lenses with >90% efficiency and >95% transparency
Colour rendering index values	CRI ≥ 90 according to EN 62717
Colour consistency	MacAdam 3-step
Photobiological risk	RG0 - Exempt Group (EN 62471)
Residual flicker	< 1%
Luminous flux maintenance	L90 B10 @ 110.000h Tq= +50 °C L90 B10 @ 230.000h Tq= +25 °C
Insulation class	I
Supply voltage	220-240V 50/60 Hz
Surge protection	10 kV common mode 6 kV differential mode (EN 61000-4-5)
Power factor	≥ 0,95
Type of power supply	Junction box with M20 cable gland
Max. conductor cross-section	2,5 mm ²
Entry cable diameter	7 ÷ 13 mm

**WARRANTY**

2 YEARS OPTIONALLY EXTENDABLE TO 7

**DIRECTIVES**

2014/30/UE (EMC)
2014/35/UE (LVD)
2011/65/UE (RoHS)
2012/19/UE (RAEE)
2009/125/CE (ERP)
Reg. UE 2019/2020 (EcoDesign)

PRODUCT STANDARDS

EN 55015
EN 60598-1
EN 60598-2-1
EN 60598-2-5
EN 60598-2-22
EN 60598-2-24
EN 61000-3-2
EN 61000-3-3
EN 61547
EN 62311
EN 62493
EN 62471
IEC TR 62778
EN 63000

Special versions with asymmetric optics and color temperatures ranging from 3000K to 6500K can be produced.

RESISTANCE TO CHEMICAL AGENTS AND ATMOSPHERIC CONDITIONS



316L stainless steel is known for its corrosion resistance, making it ideal for the marine sector.

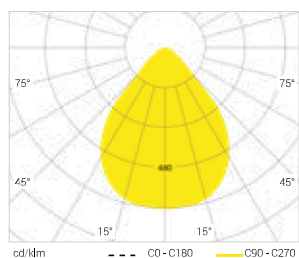
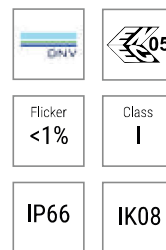
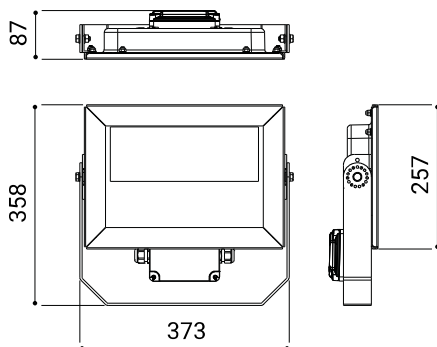
The YUMA floodlight is capable of withstanding weather conditions, moisture, and salt spray without suffering damage over time.



316L stainless steel

WATER	SALINE SOLUTION	ACIDS		BASES		SOLVENTS			
		CONCENTRATED	DILUTED	CONCENTRATED	DILUTED	ALCOHOL	ACETONE	PERCHLOROETHYLENE	BENZENE
↑	↑	↑	↑	↑	↑	↑	↑	↑	↑
OILS		FATS		AMMONIA	OXIDISERS	INORGANIC SALTS	GASOLINE	DETERGENTS	U.V. RAYS
MINERAL	VEGETABLE	ANIMAL	SYNTHETIC						
↑	↑	↑	↑	↑	↑	↑	↑	↑	↑

YUMA-NAVE floodlight | size S



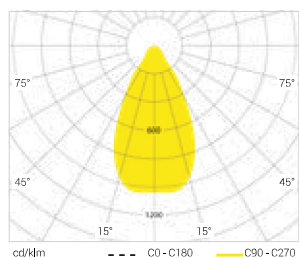
Symmetrical 81° extra wide beam

Included: 2 terminal blocks 2P+E for supply line entry/exit.
2 cable glands M20 and 1 nickel-plated brass cap M20.
The stated flux and power values may be subject to a +/- 7% tolerance.

AISI 316L stainless steel



No. of LEDs	Power (W)	Nominal flux (lm) Tj=25 °C	Output flux (lm) Tq=25 °C	Diffuser	Efficacy (lm/W)	Version	Weight (kg)	Code
12	25	3840	3200	Glass	128	On-off	5,00	809114
12	49	7350	6125	Glass	125	On-off	5,00	809124



Symmetrical 55° medium beam

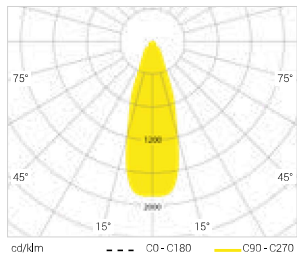
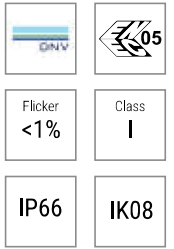
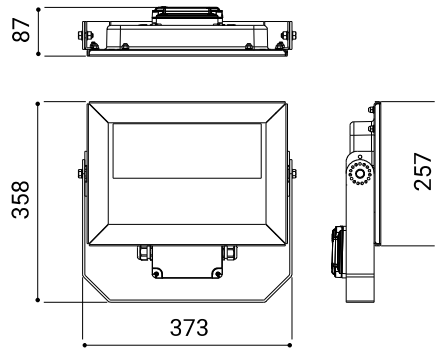
Included: 2 terminal blocks 2P+E for supply line entry/exit.
2 cable glands M20 and 1 nickel-plated brass cap M20.
The stated flux and power values may be subject to a +/- 7% tolerance.

AISI 316L stainless steel



No. of LEDs	Power (W)	Nominal flux (lm) Tj=25 °C	Output flux (lm) Tq=25 °C	Diffuser	Efficacy (lm/W)	Version	Weight (kg)	Code
12	25	3840	3200	Glass	128	On-off	5,00	809116
12	49	7350	6125	Glass	125	On-off	5,00	809126

YUMA-NAVE floodlight | size S



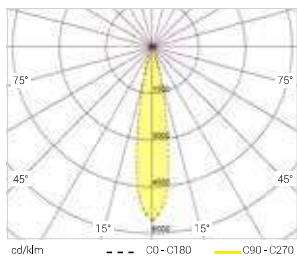
Symmetrical 36° narrow beam

Included: 2 terminal blocks 2P+E for supply line entry/exit.
2 cable glands M20 and 1 nickel-plated brass cap M20.
The stated flux and power values may be subject to a +/- 7% tolerance.

AISI 316L stainless steel



No. of LEDs	Power (W)	Nominal flux (lm)Tj=25 °C	Output flux (lm)Tq=25 °C	Diffuser	Efficacy (lm/W)	Version	Weight (kg)	Code
12	25	3840	3200	Glass	128	On-off	5,00	809111
12	49	7350	6125	Glass	125	On-off	5,00	809121



Symmetrical 15° narrow beam

Included: 2 terminal blocks 2P+E for supply line entry/exit.
2 cable glands M20 and 1 nickel-plated brass cap M20.
The stated flux and power values may be subject to a +/- 7% tolerance.

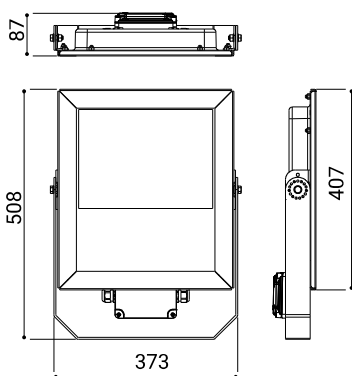
AISI 316L stainless steel



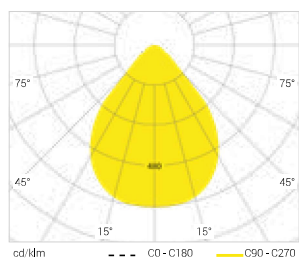
No. of LEDs	Power (W)	Nominal flux (lm)Tj=25 °C	Output flux (lm)Tq=25 °C	Diffuser	Efficacy (lm/W)	Version	Weight (kg)	Code
12	25	3840	3200	Glass	128	On-off	5,00	809119
12	49	7350	6125	Glass	125	On-off	5,00	809129



YUMA-NAVE floodlight | size M



Flicker <1%	Class I
IP66	IK08



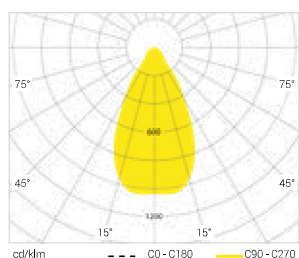
Symmetrical 81° extra wide beam

Included: 2 terminal blocks 2P+E for supply line entry/exit.
2 cable glands M20 and 1 nickel-plated brass cap M20.
The stated flux and power values may be subject to a +/- 7% tolerance.

AISI 316L stainless steel



No. of LEDs	Power (W)	Nominal flux (lm) Tj=25 °C	Output flux (lm) Tq=25 °C	Diffuser	Efficacy (lm/W)	Version	Weight (kg)	Code
24	74	11100	9250	Glass	125	On-off	6,00	809234
24	98	14700	12250	Glass	125	On-off	6,00	809244



Symmetrical 55° medium beam

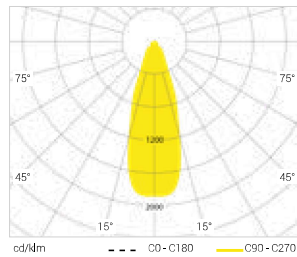
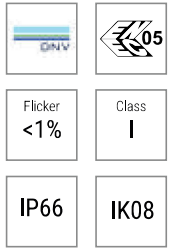
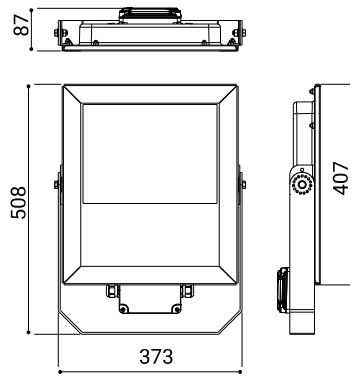
Included: 2 terminal blocks 2P+E for supply line entry/exit.
2 cable glands M20 and 1 nickel-plated brass cap M20.
The stated flux and power values may be subject to a +/- 7% tolerance.

AISI 316L stainless steel



No. of LEDs	Power (W)	Nominal flux (lm) Tj=25 °C	Output flux (lm) Tq=25 °C	Diffuser	Efficacy (lm/W)	Version	Weight (kg)	Code
24	74	11100	9250	Glass	125	On-off	6,00	809236
24	98	14700	12250	Glass	125	On-off	6,00	809246

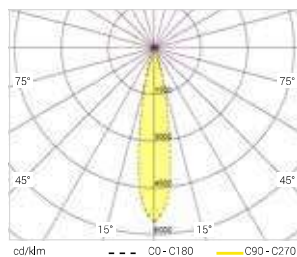
YUMA-NAVE floodlight | size M



Symmetrical 36° narrow beam

Included: 2 terminal blocks 2P+E for supply line entry/exit.
2 cable glands M20 and 1 nickel-plated brass cap M20.
The stated flux and power values may be subject to a +/- 7% tolerance.

	No. of LEDs	Power (W)	Nominal flux (lm) Tj=25 °C	Output flux (lm) Tq=25 °C	Diffuser	Efficacy (lm/W)	Version	Weight (kg)	Code
AISI 316L stainless steel	24	74	11100	9250	Glass	125	On-off	6,00	809231
+ 50°C - 30°C	24	98	14700	12250	Glass	125	On-off	6,00	809241



Symmetrical 15° narrow beam

Included: 2 terminal blocks 2P+E for supply line entry/exit.
2 cable glands M20 and 1 nickel-plated brass cap M20.
The stated flux and power values may be subject to a +/- 7% tolerance.

	No. of LEDs	Power (W)	Nominal flux (lm) Tj=25 °C	Output flux (lm) Tq=25 °C	Diffuser	Efficacy (lm/W)	Version	Weight (kg)	Code
AISI 316L stainless steel	24	74	11100	9250	Glass	125	On-off	6,00	809239
+ 50°C - 30°C	24	98	14700	12250	Glass	125	On-off	6,00	809249